



This Service Information bulletin supersedes SI B24 08 06 **dated December 2008**.

**NEW** designates changes to this revision

## SUBJECT

### ZF 6HP19/6HP26 Transmissions - Mechatronic Sealing Sleeve Leaking

## MODEL

E53, E60, E61, E63, E64, E65, E66, **NEW** E85, E90, E91, E92, E93 with ZF 6-speed 6HP19 or 6HP26 transmission

## SITUATION

Transmission fluid leak coming from the area of the transmission oil pan

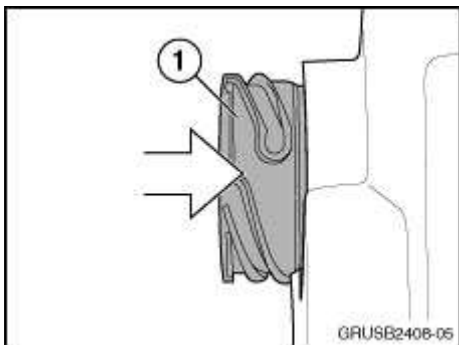
## CAUSE

The Mechatronic sealing sleeve's o-ring leaks.

## PROCEDURE

On a customer complaint basis:

1. Drain and save the long-term fill transmission fluid (Shell M-1375.4).

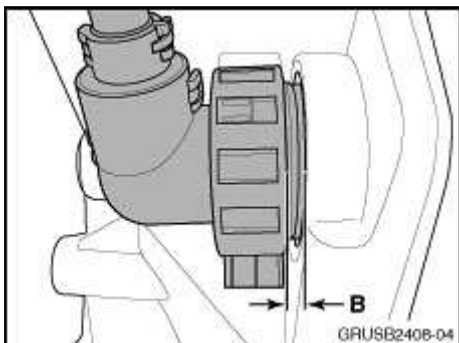


2. Replace the sealing sleeve (P/N 24 34 7 519 357) and the transmission oil pan gasket. Follow Repair Instruction RA 24 34 020.

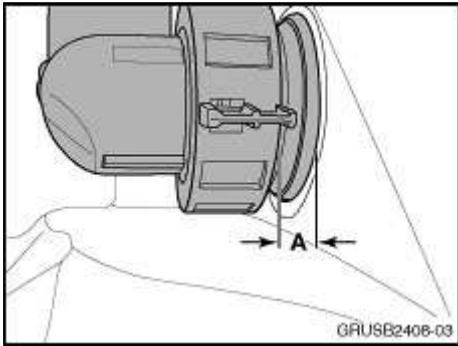
Important:

Make sure to push the sealing sleeve firmly into the housing assembly before closing the white locking tab of the Mechatronic.

To ease the sleeve installation, use some lubrication (e.g., transmission fluid) on both sleeves' o-rings.



3. After installation, the correct distance between the transmission harness connector and the housing surface (B) should not exceed 3 mm.



4. If the distance between the connector and the transmission housing (A) measures approximately 7 to 8 mm, the sealing sleeve was installed incorrectly. In such a case, an intermittent connection problem between Mechatronic and the vehicle harness connector will occur, resulting in various EGS communication faults (e.g., FC 5079 "Serial wire message missing"; FC 507A "Serial line signal plausibility"; "Gearbox Emergency Program" light illumination; and the transmission entering a failsafe mode).

5. Clean the groove in the plastic oil pan before gasket installation. When reinstalling the oil pan, make sure that the sealing surface of the gasket is oil-free. Important: If the sealing surface is not completely dry, the oil pan may still appear to exhibit a minor leak. Follow the torque sequence and specification from RA 24 34 020.

6. On vehicles equipped with a plastic oil pan (all with the exception of the E53), replace the drain plug. Follow the torque specification from RA 24 34 020.

7. Check and top up the transmission fluid level using Shell M-1375.4 (P/N 83 22 0 142 516). For the filling procedure, refer to TIS RA 00 11 500.

8. Warm the engine and test drive the vehicle to verify the effectiveness of the repair.

#### IMPORTANT NOTE:

In the unlikely event that the transmission fluid leak reappears in the area of the oil pan gasket after completion of the test drive, the transmission oil pan and the gasket need to be replaced.

#### PARTS INFORMATION

Part Number	Description	Quantity
24 34 7 519 357	Mechatronic sealing sleeve	1
24 11 7 571 204	6HP26 oil pan gasket (E60/61/63/64/65/66)	1
24 11 7 543 484	6HP26 oil pan gasket (E53)	1
24 11 7 540 844	6HP19 oil pan gasket (all models)	1
24 11 7 520 713	Drain plug 6HP19/6HP26 (except E53)	1

#### WARRANTY INFORMATION

Covered under the terms of the BMW New Vehicle Limited Warranty or the Certified Pre-Owned Program.

Please refer to the latest KSD for model applicable labor allowances.

<b>Defect Code</b>	<b>24 00 51 48 00</b>	
* Labor Operation	24 34 020	<b>Main Work*</b>

Replace sealing sleeve for gearbox

or

(+) Labor Operation            +24 34 530            Replace sealing sleeve for gearbox

\*Main Work:            Use this labor operation number when this is the only repair being performed, or if this is the main repair when performed along with other repairs at the same time. If this is not the main repair, use the associated (+) labor operation code.

In the case where replacing the Mechatronic sealing sleeve does not correct the fluid leak and the vehicle exhibits the same complaint after the short test drive, use the following warranty information for claiming the transmission oil pan replacement:

Labor Operation            24 11 510            **Vehicle with 6HP26 transmission**

Replace oil pan & gasket

or

Labor Operation            24 11 511            **Vehicles with 6HP19 transmission**

Replace oil pan & gasket

[ Copyright © 2009 BMW of North America, LLC ]