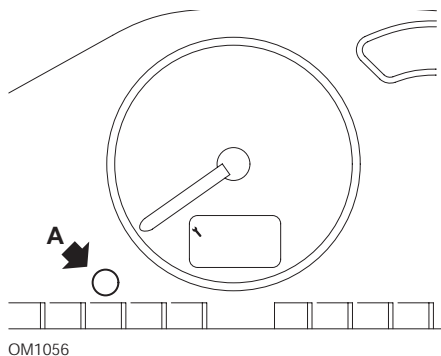


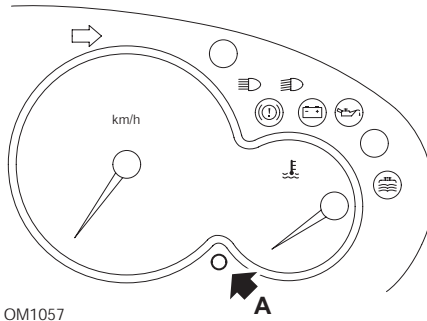
Peugeot

106



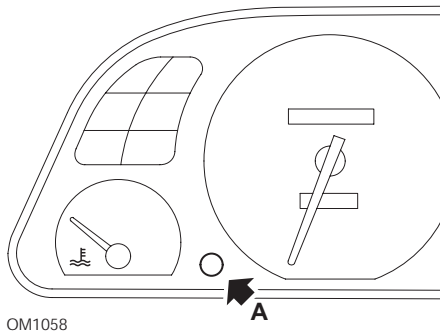
1. Switch ignition OFF.
2. Press and hold button **A**.
3. Switch ignition ON.
4. Keep button depressed for 10 seconds.
The display will now read '0' and the spanner icon will extinguish.

206



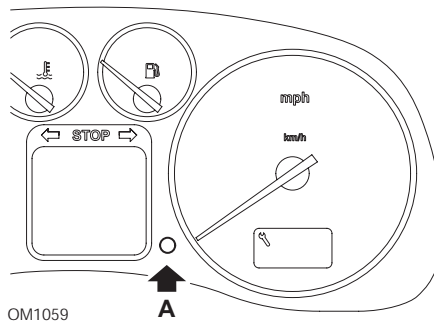
1. Switch ignition OFF.
2. Press and hold button **A**.
3. Switch ignition ON.
4. Keep button depressed for 10 seconds.
The display will now read '0' and the spanner icon will extinguish.

306



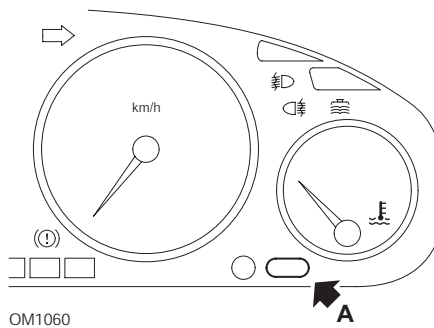
1. Switch ignition OFF.
2. Press and hold button **A**.
3. Switch ignition ON.
4. Keep button depressed for 10 seconds.
The display will now read '0' and the spanner icon will extinguish.

307



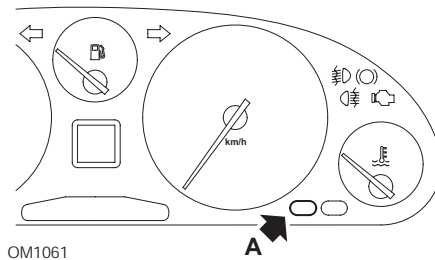
1. Switch ignition OFF.
2. Press and hold button **A**.
3. Switch ignition ON.
4. Keep button depressed for 10 seconds.
The display will now read '0' and the spanner icon will extinguish.

406



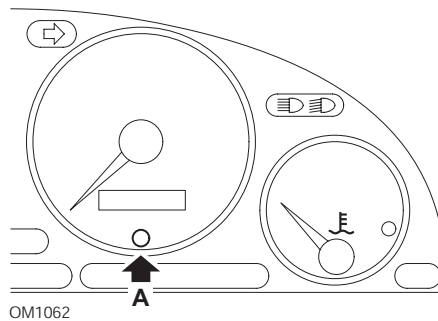
1. Switch ignition OFF.
2. Press and hold button **A**.
3. Switch ignition ON.
4. Keep button depressed for 10 seconds.
The display will now read '0' and the spanner icon will extinguish.

607



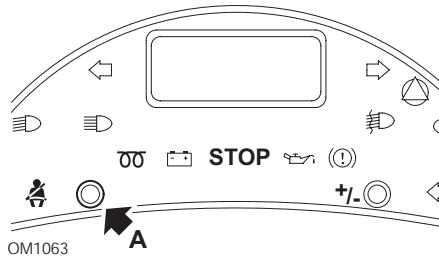
1. Switch ignition OFF.
2. Press and hold button **A**.
3. Switch ignition ON.
4. Keep button depressed for 10 seconds.
The display will now read '0' and the spanner icon will extinguish.

806



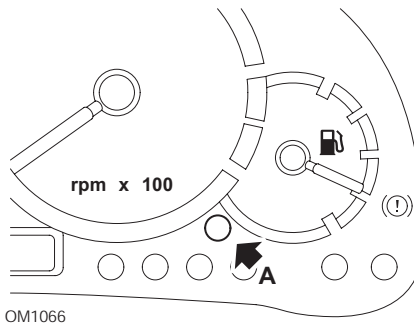
1. Switch ignition OFF.
2. Press and hold button **A**.
3. Switch ignition ON.
4. Keep button depressed for 10 seconds.
The display will now read '0' and the spanner icon will extinguish.

807



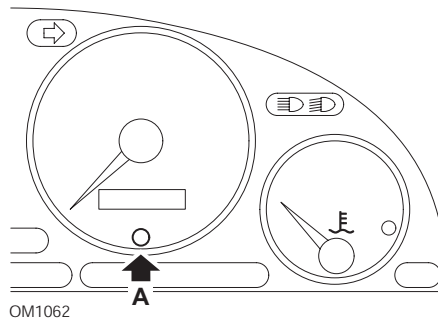
1. Switch ignition OFF.
2. Press and hold button **A**.
3. Switch ignition ON.
4. Keep button depressed until the display reads '0' and the spanner icon extinguishes.

Boxer II 2002 onwards



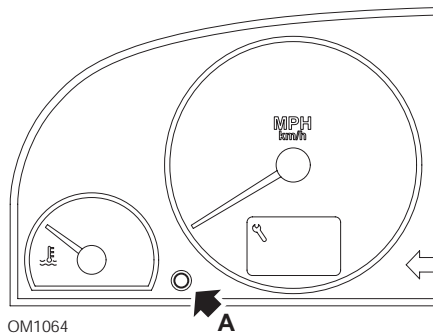
1. Switch ignition OFF.
2. Press and hold button **A**.
3. Switch ignition ON.
4. Keep button depressed for 10 seconds.
The display will now read '0' and the spanner icon will extinguish.

Expert



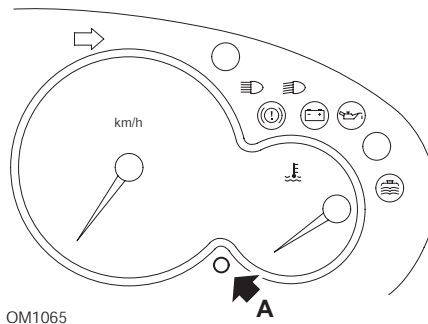
1. Switch ignition OFF.
2. Press and hold button **A**.
3. Switch ignition ON.
4. Keep button depressed for 10 seconds.
The display will now read '0' and the spanner icon will extinguish.

Partner 1999 - 2002



1. Switch ignition OFF.
2. Press and hold button **A**.
3. Switch ignition ON.
4. Keep button depressed for 10 seconds.
The display will now read '0' and the spanner icon will extinguish.

Partner 2002 onwards



1. Switch ignition OFF.
2. Press and hold button **A**.
3. Switch ignition ON.
4. Keep button depressed for 10 seconds.
The display will now read '0' and the spanner icon will extinguish.